

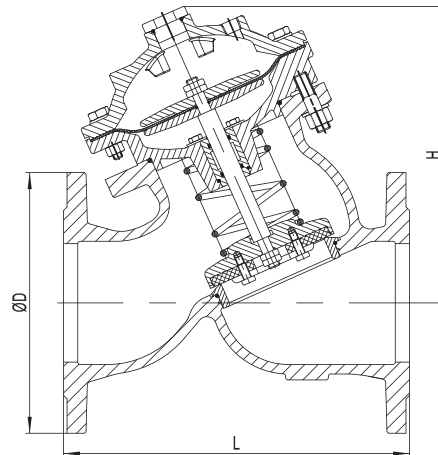
# Deluge Valve



Name of parts	Material
Body	Ductile iron
Seat Ring	SS304
Gland of Main Disc	SS304
Main Gasket	EPDM
Main Disc	SS304
Spring	SS420J2
Stem	SS304
Middle Bonnet	Ductile iron
Bushing	Bronze
Bottom Gland	SS304
Diaphragm	EPDM
Up Gland	SS304
Up Bonnet	Ductile iron
Cap Plug	SS304
Bolt	SS304

**Technical data** >

- Sizes: 2"~12"
- Working pressure: 300psi
- Flange standard: ASME-B16.1 Class125
- Temperature range: 0 ~ 80 °C



Dimensions		Pressure rating	Size (mm)		
DN	inch		psi	ΦD	L
50	2	300	152	203	170
65	2.5	300	178	216	195
80	3	300	191	241	210
100	4	300	229	292	250
125	5	300	254	330	290
150	6	300	279	356	350
200	8	300	343	495	420
250	10	300	406	622	550
300	12	300	483	698	645